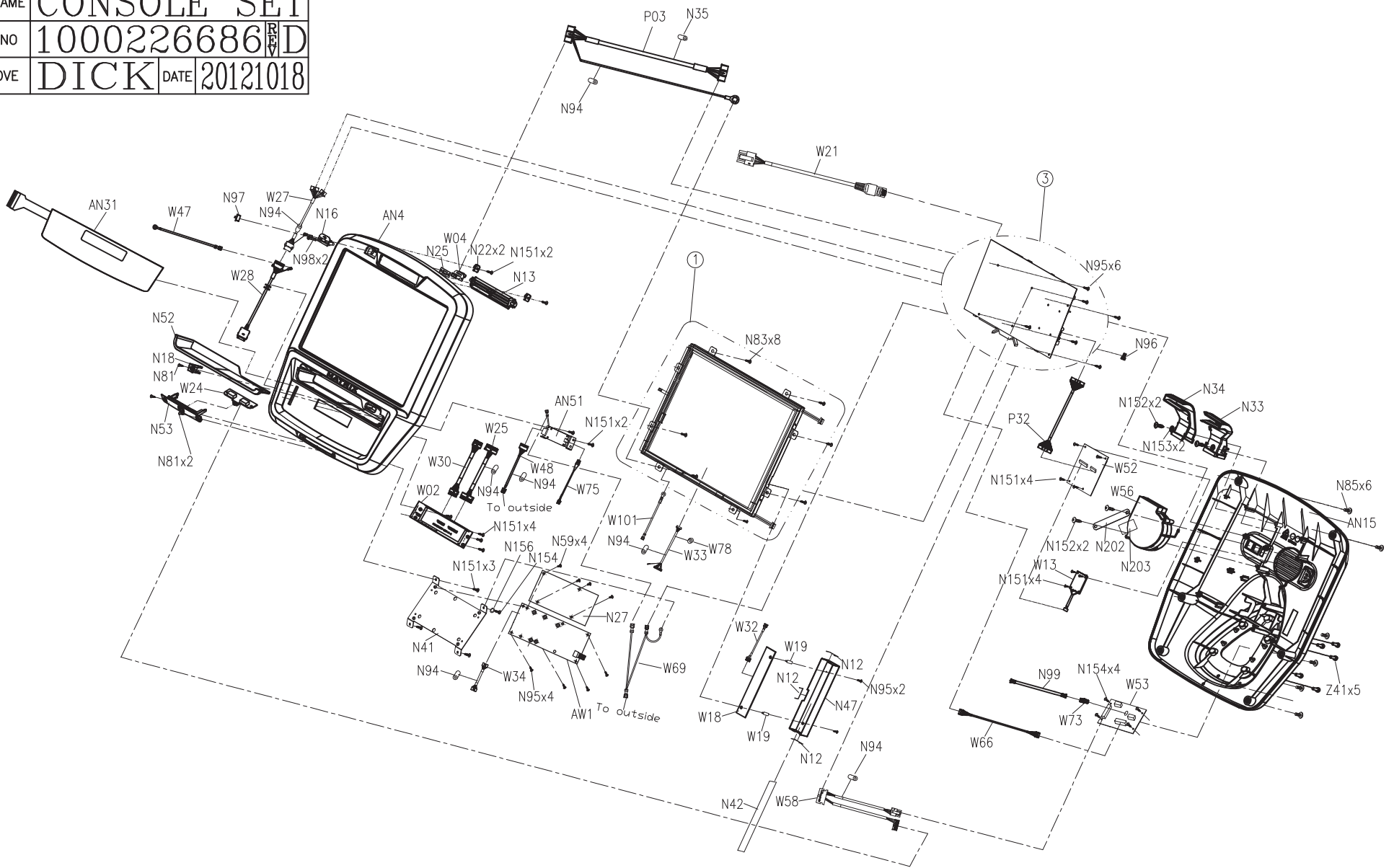
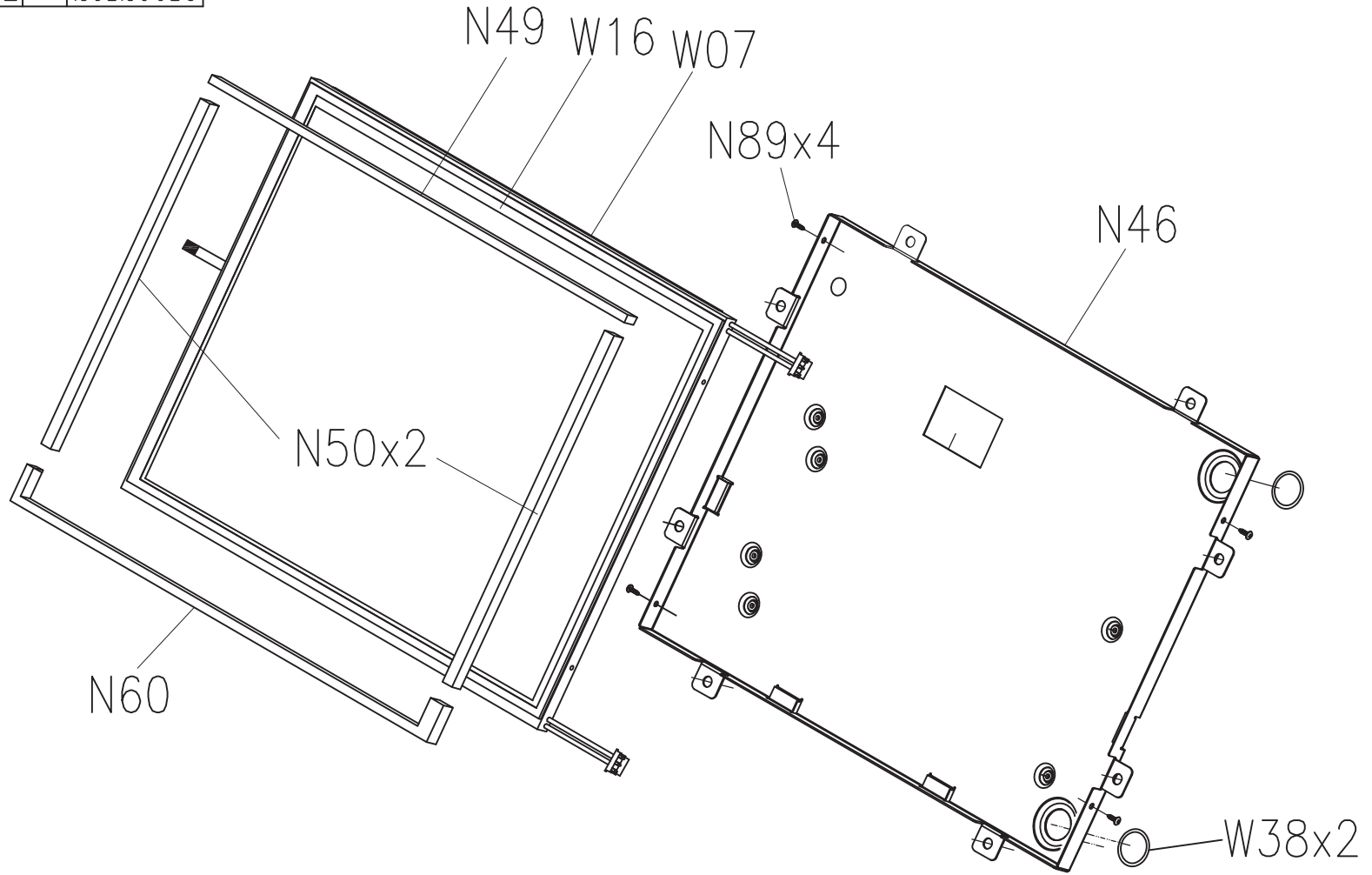


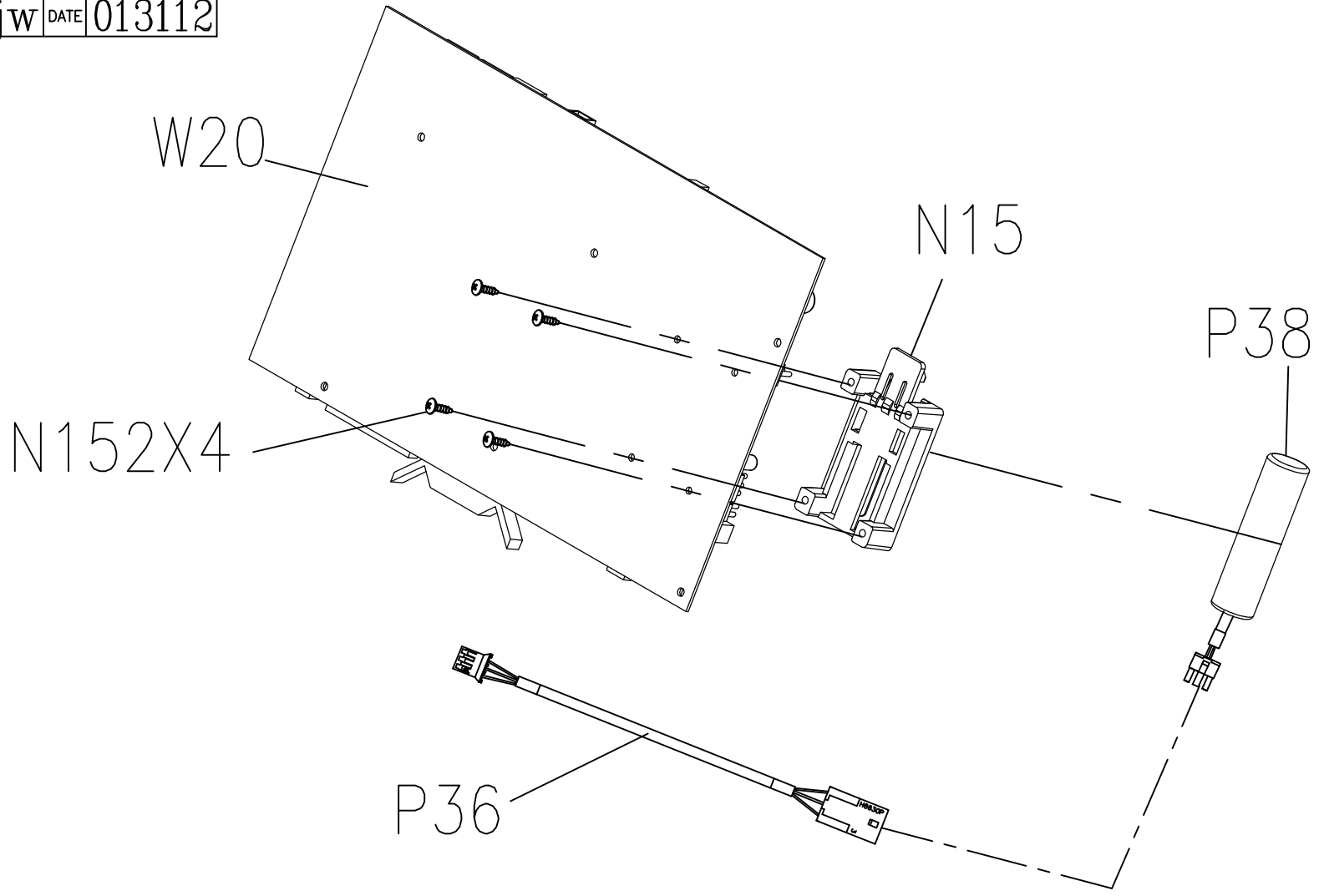
DRAWING NO	EP613-AN11
PART NAME	CONSOLE SET
PART NO	1000226686 
APPROVE	DICK DATE 20121018



DRAWING NO	EP613-AW31		
PART NAME	PANEL BOARD SET:15 INCH TFT LCD		
PART NO	1000233262		
APPROVE	DICK	DATE	20120615

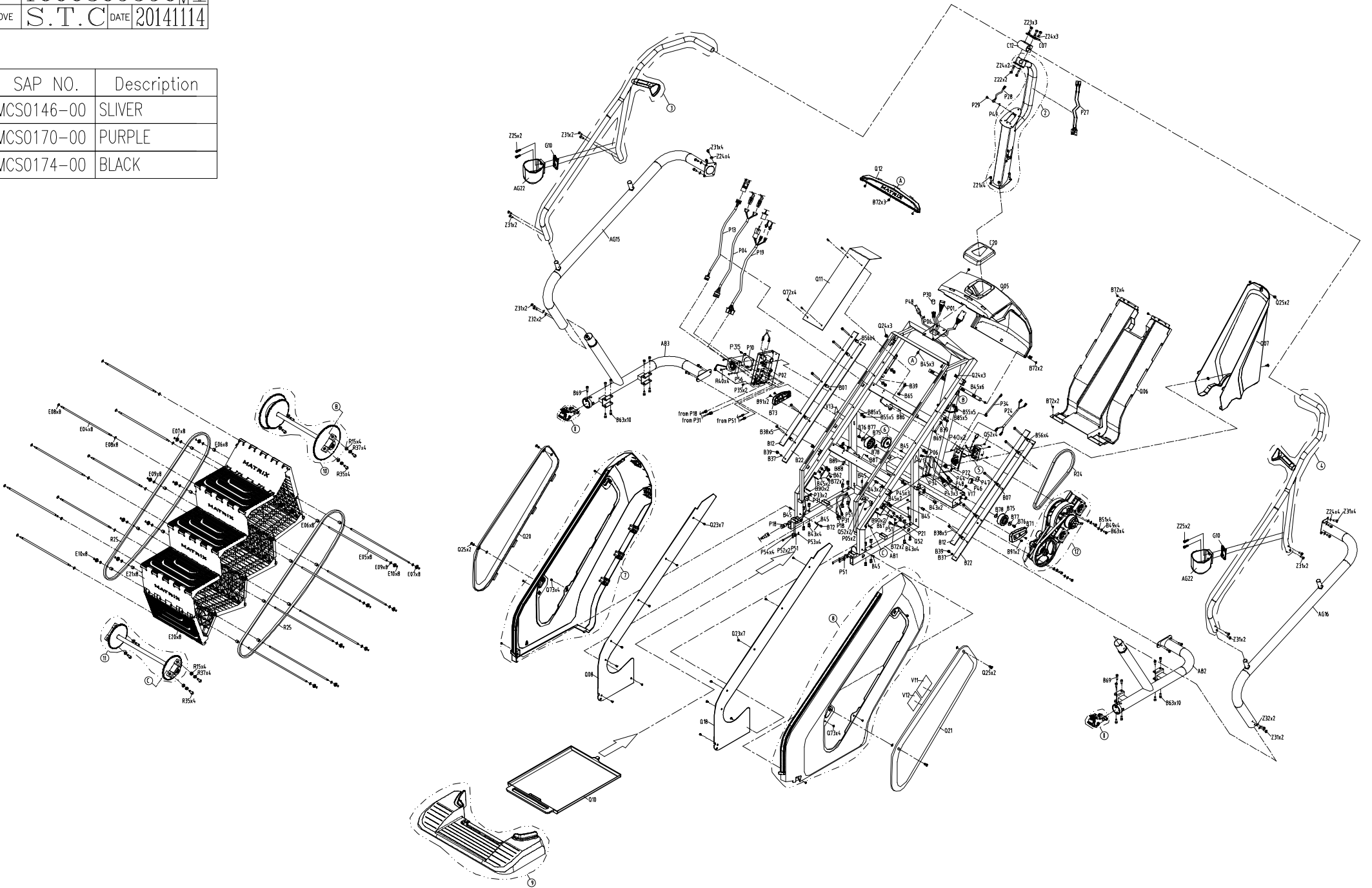


DRAWING NO	EP92F-AW32		
PART NAME	CONTROL BOARD SET		
PART NO	0000095289	REV	C
APPROVE	Tsaijw	DATE	013112

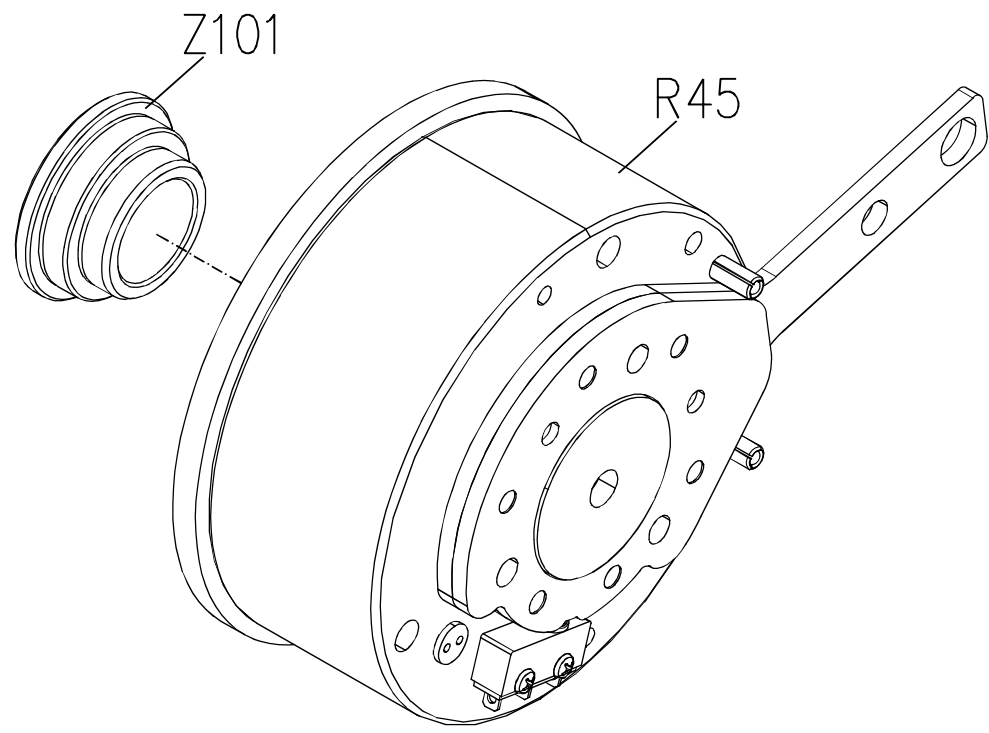



DRAWING NO	CS23-A04
PART NAME	EXPLODED DRAWING
PART NO	1000309596
APPROVE	S.T.C DATE 20141114

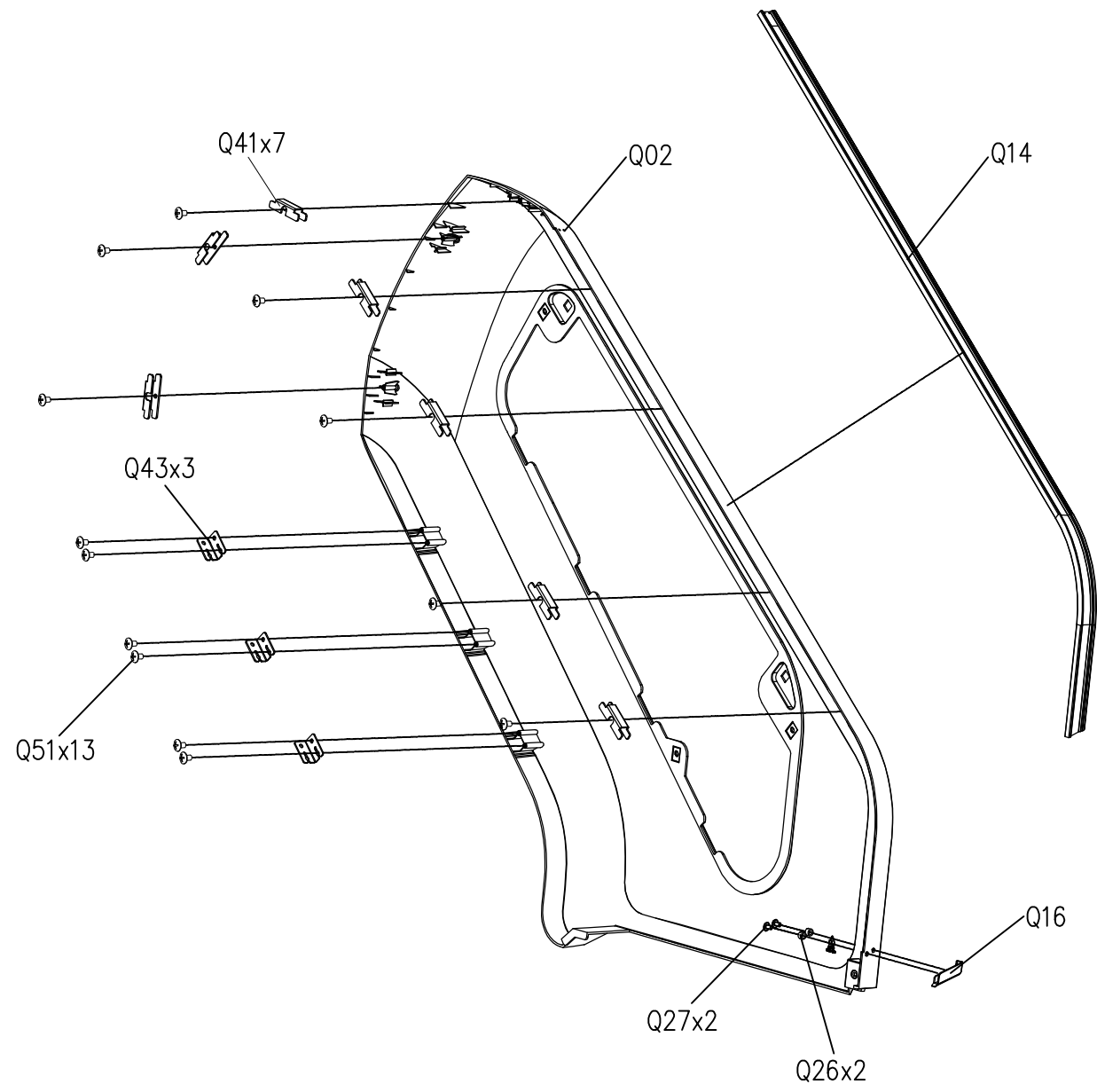
SAP NO.	Description
MCS0146-00	SLIVER
MCS0170-00	PURPLE
MCS0174-00	BLACK



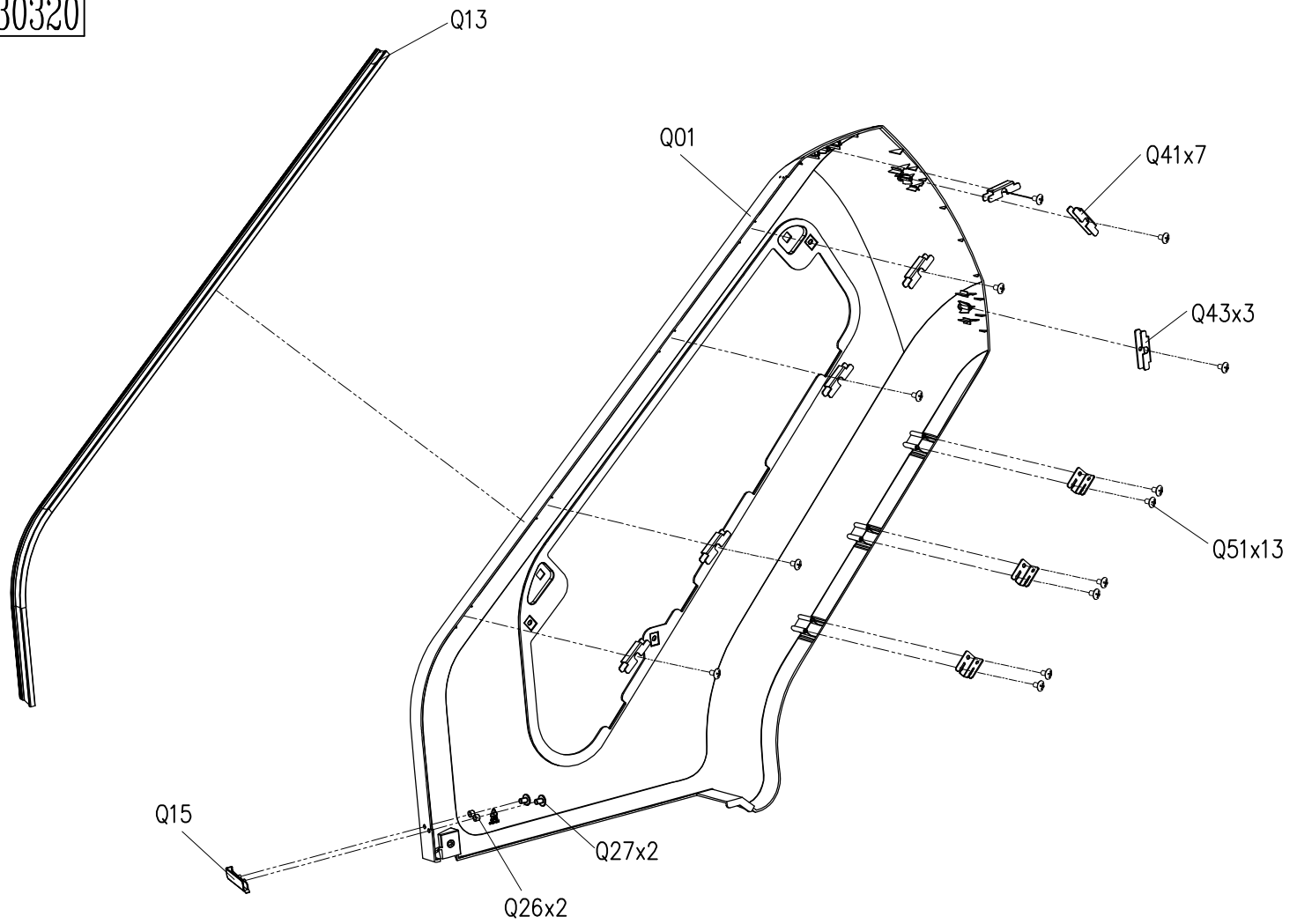
DRAWING NO	CS17-Z102		
PART NAME	BRAKE_SET		
PART NO	1000354903		
APPROVE	EDWARD	DATE	20141103



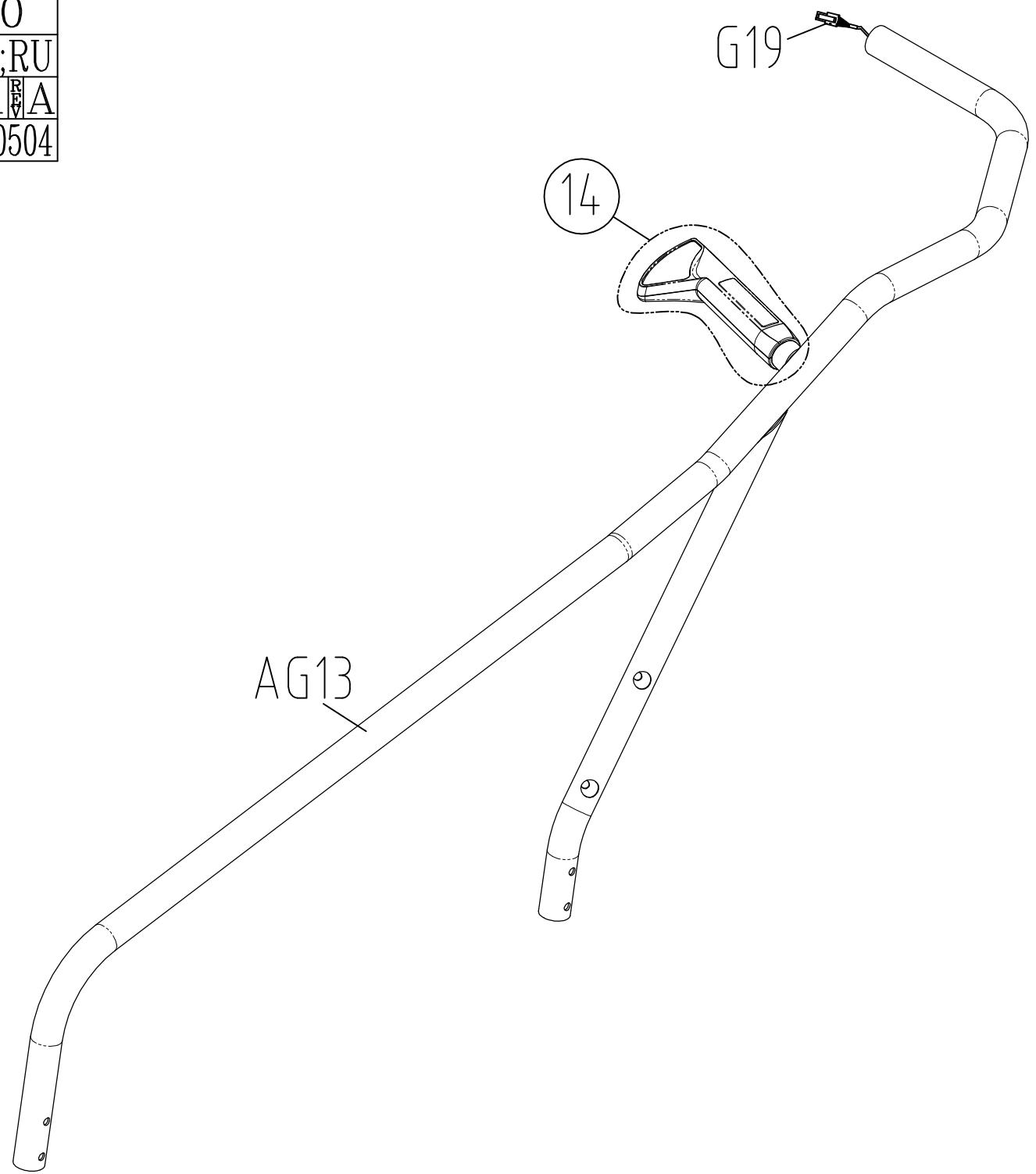
DRAWING NO	CS23-AQ2		
PART NAME	Shield set; Right		
PART NO	1000309607 		
APPROVE	MORRIS	DATE	20130320



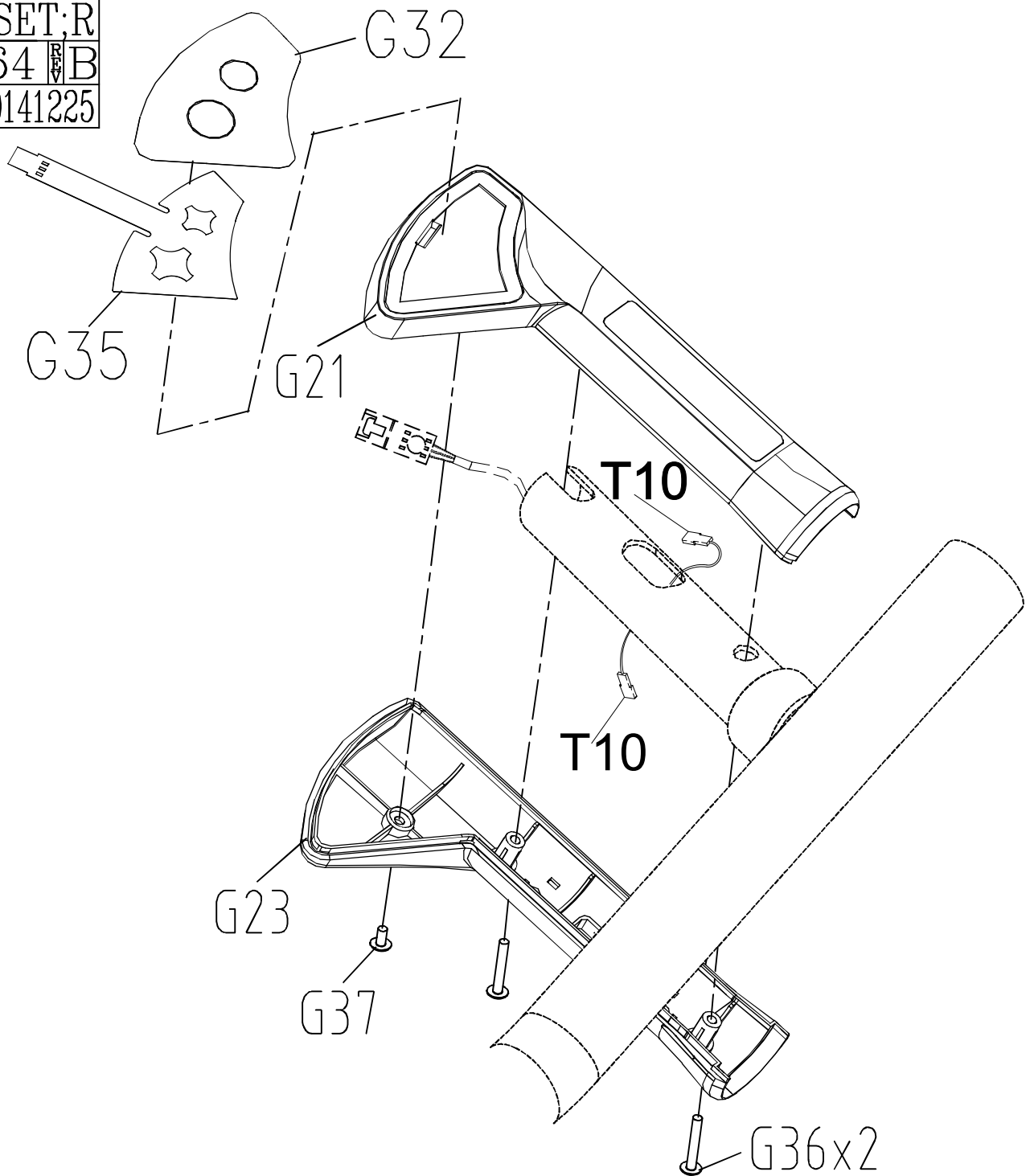
DRAWING NO	CS23-AQ1		
PART NAME	Shield set;Left		
PART NO	1000309601 REV A		
APPROVE	MORRIS	DATE	20130320



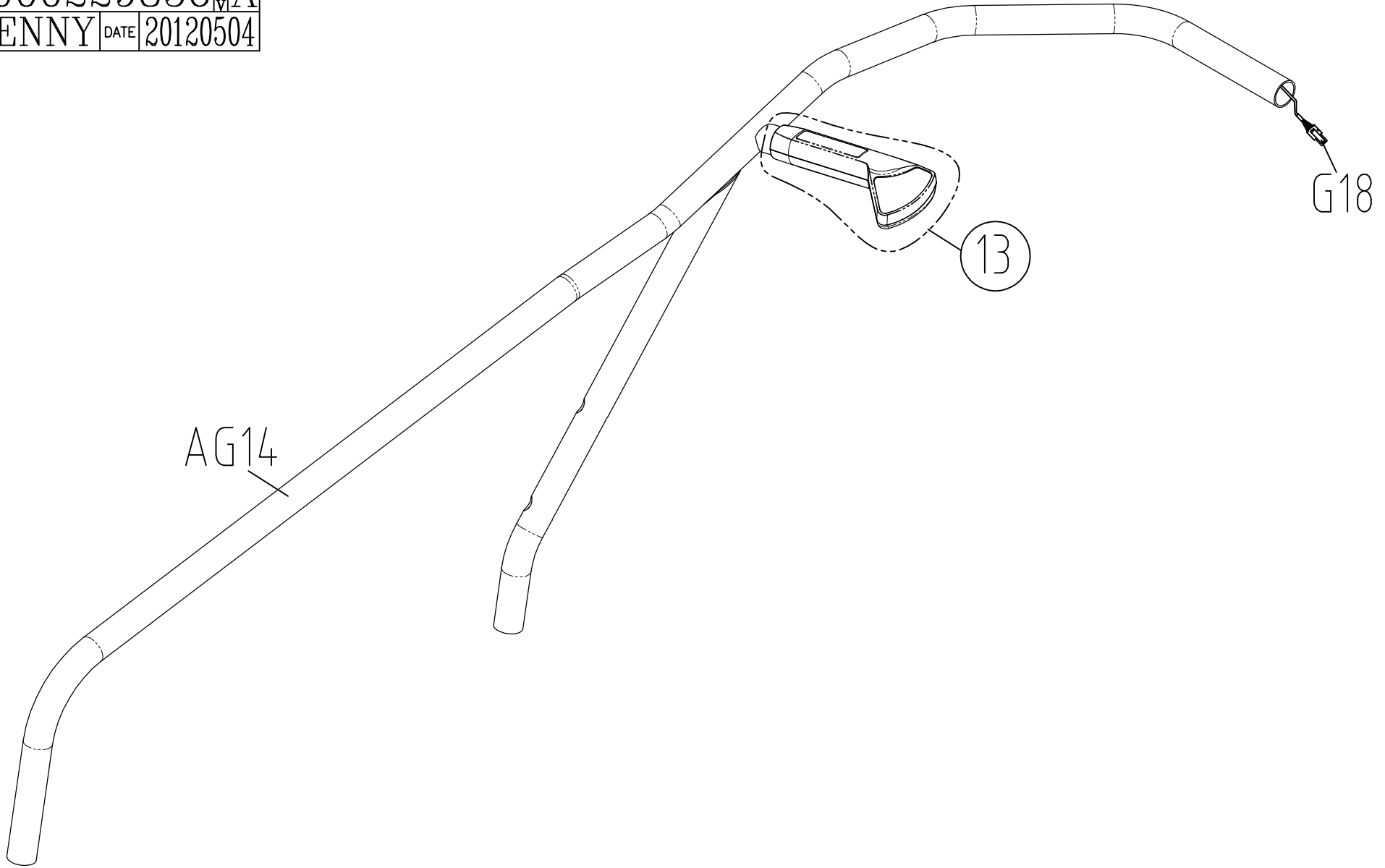
DRAWING NO	CS21-AG20		
PART NAME	ARM REST SET;RU		
PART NO	1000229941		
APPROVE	KENNY	DATE	20120504



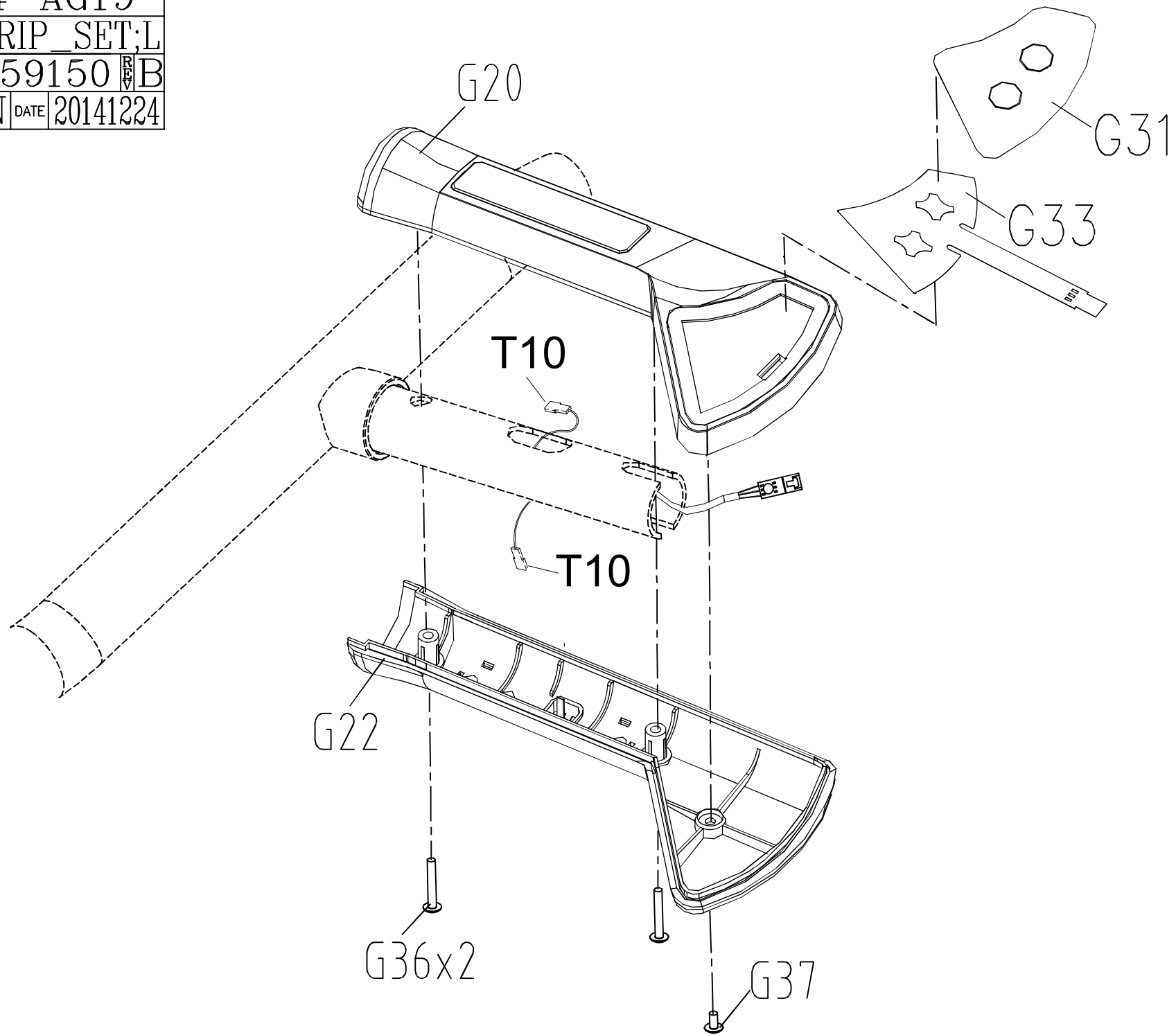
DRAWING NO	CS24-AG21		
PART NAME	HANDGRIP_SET;R		
PART NO	1000359164		B
APPROVE	EASON	DATE	20141225




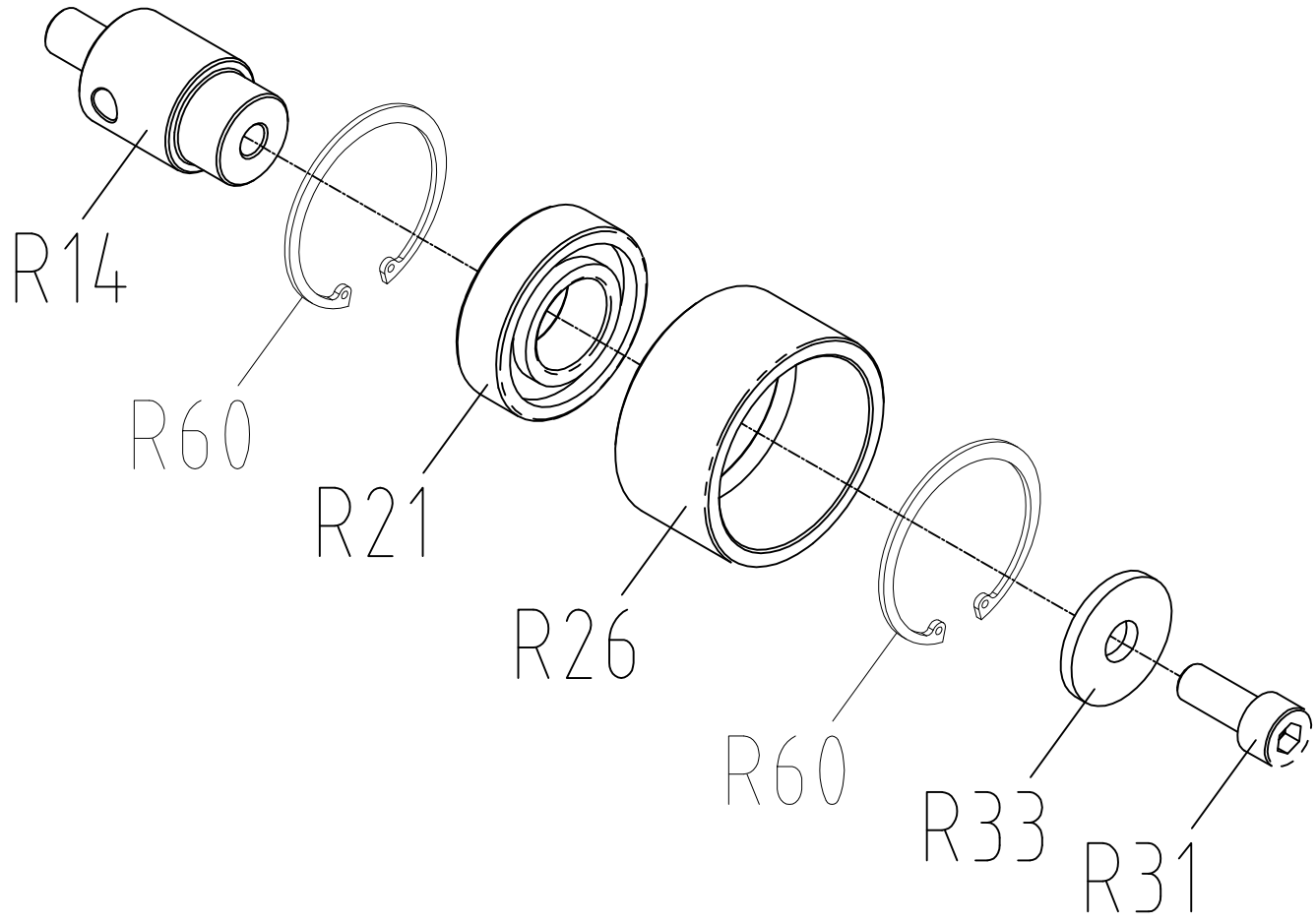
DRAWING NO	CS21-AG18		
PART NAME	ARM REST SET;LU		
PART NO	1000229856		
APPROVE	KENNY	DATE	20120504




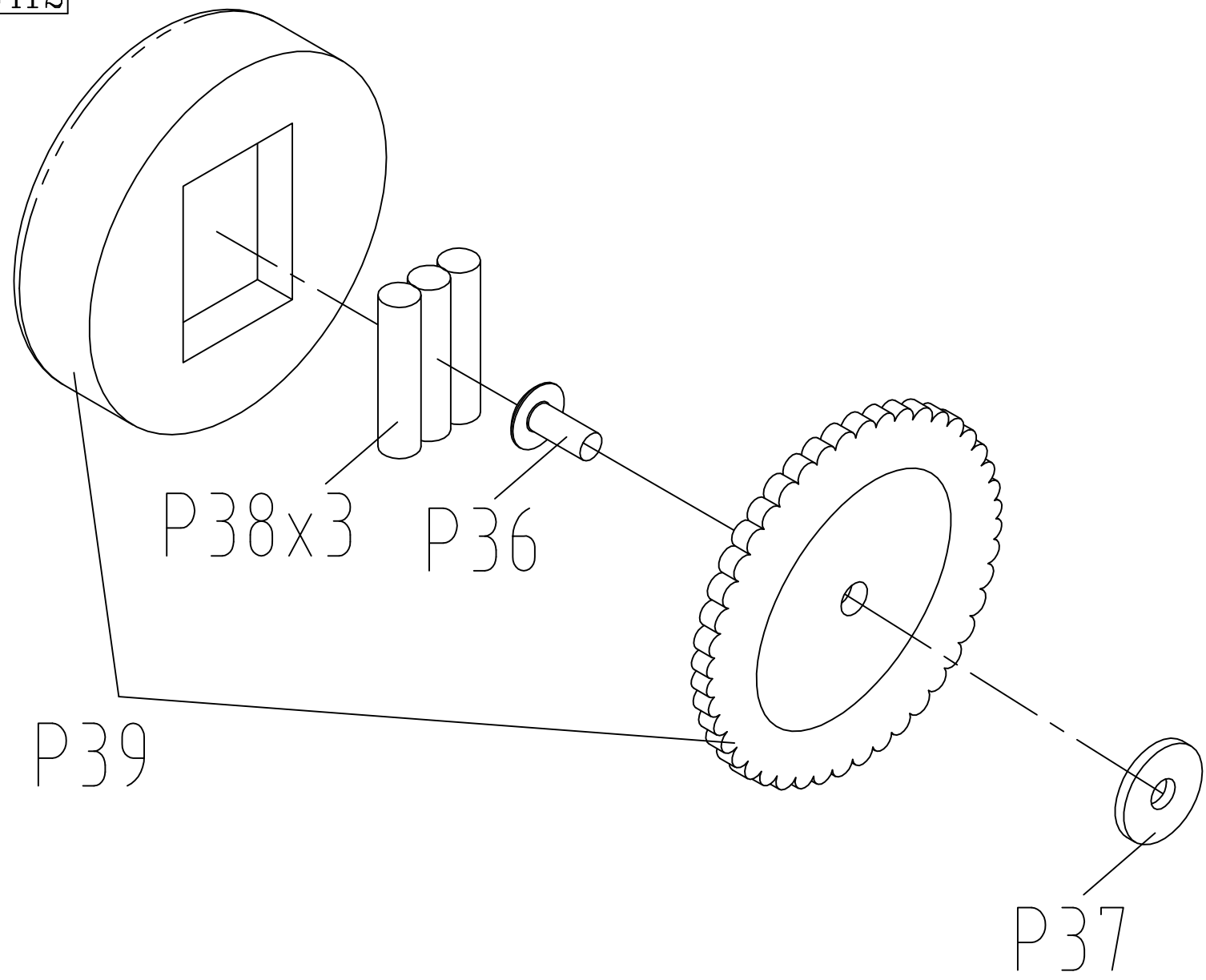
DRAWING NO	CS24-AG19		
PART NAME	HANDGRIP_SET;L		
PART NO	1000359150 B		
APPROVE	EASON	DATE	20141224




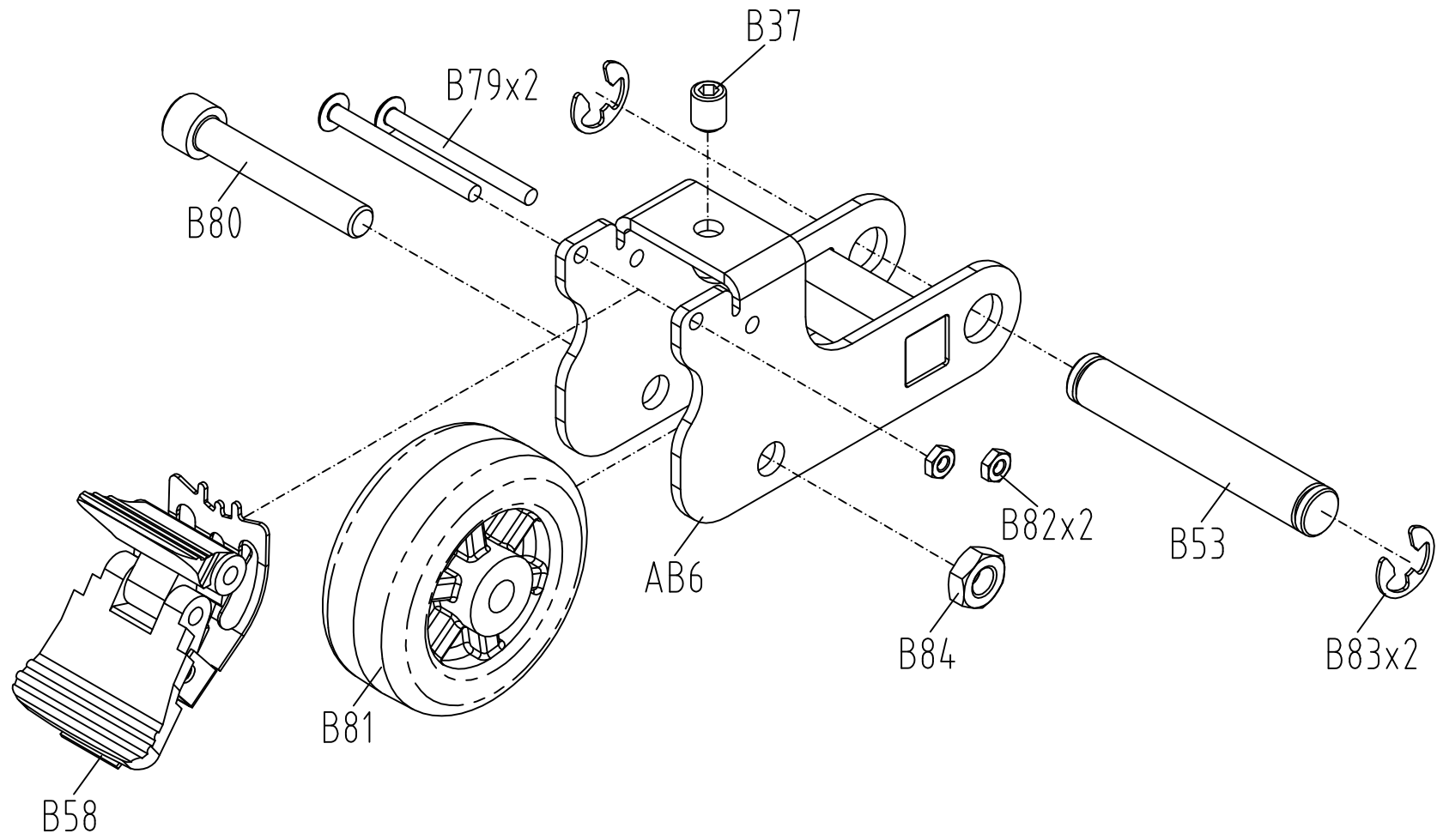
DRAWING NO	CS17-AR9		
PART NAME	IDLER_SET		
PART NO	1000217719  B		
APPROVE	JOHNNY	DATE	20111020



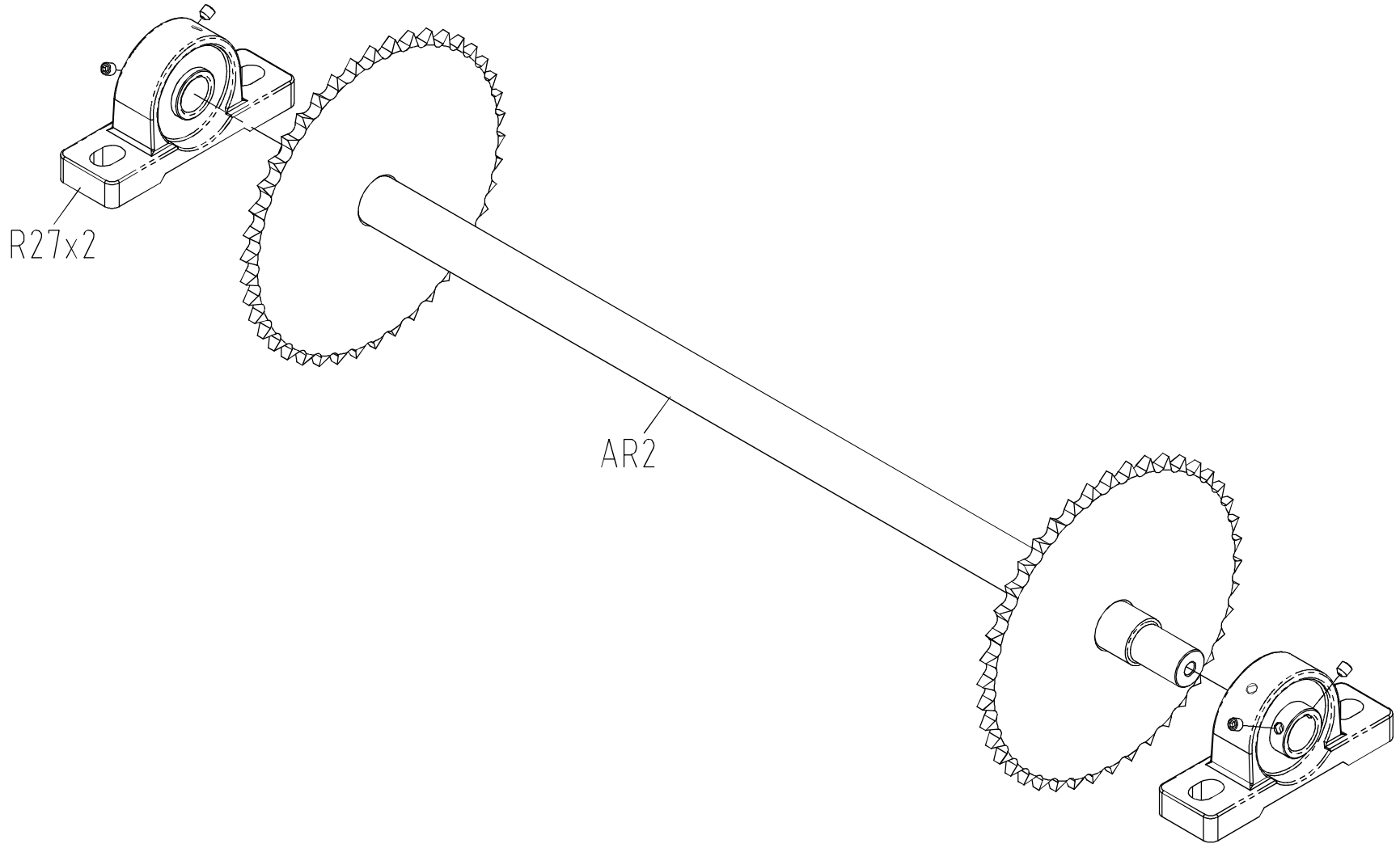
DRAWING NO	CS17-AP16		
PART NAME	LED MAINTAIN LIGHT SET		
PART NO	1000213364  E		
APPROVE	GINGO	DATE	102412



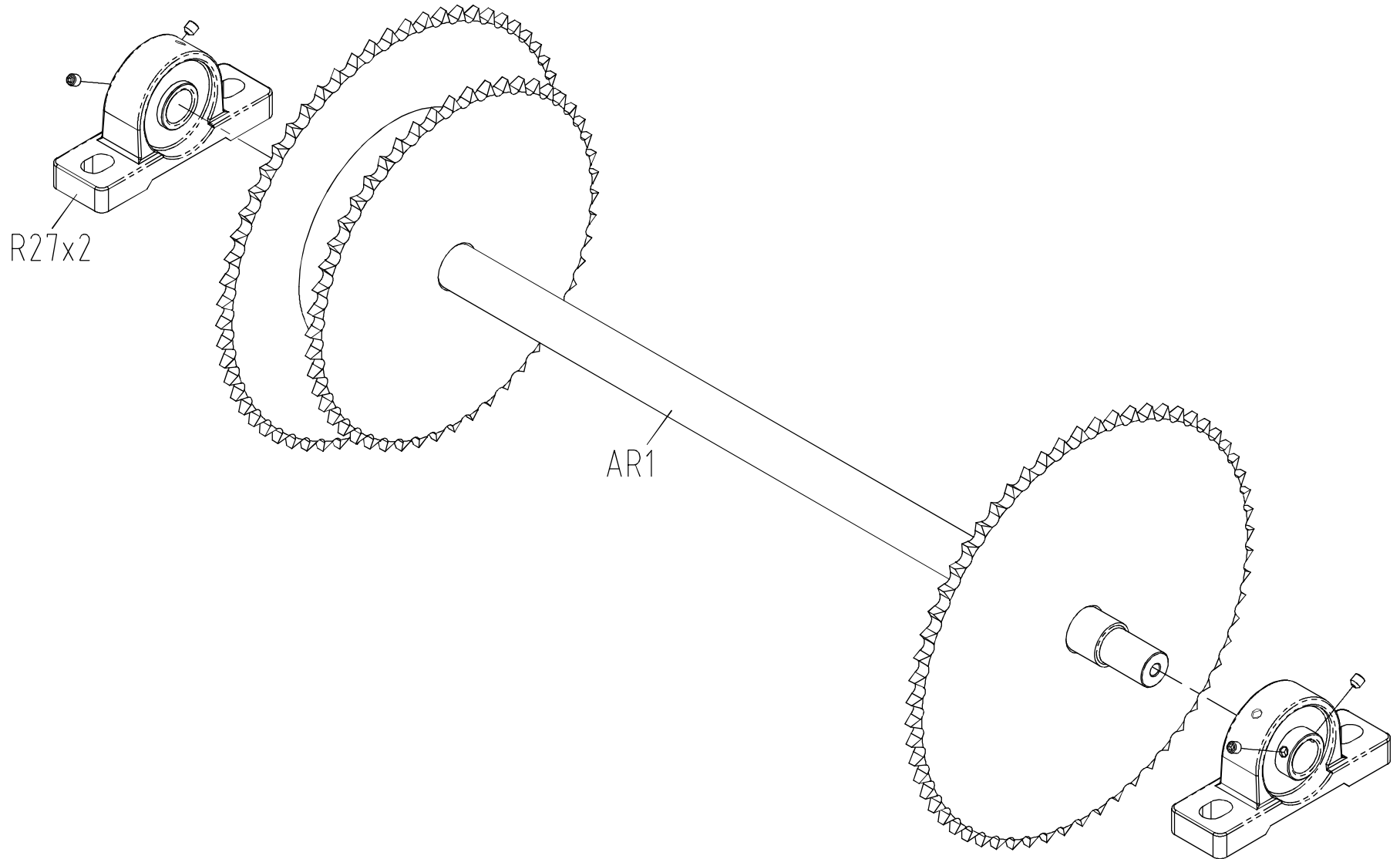
DRAWING NO	CS17-AB14		
PART NAME	WHEEL SET		
PART NO	1000213059  B		
APPROVE	HERMES	DATE	20101221



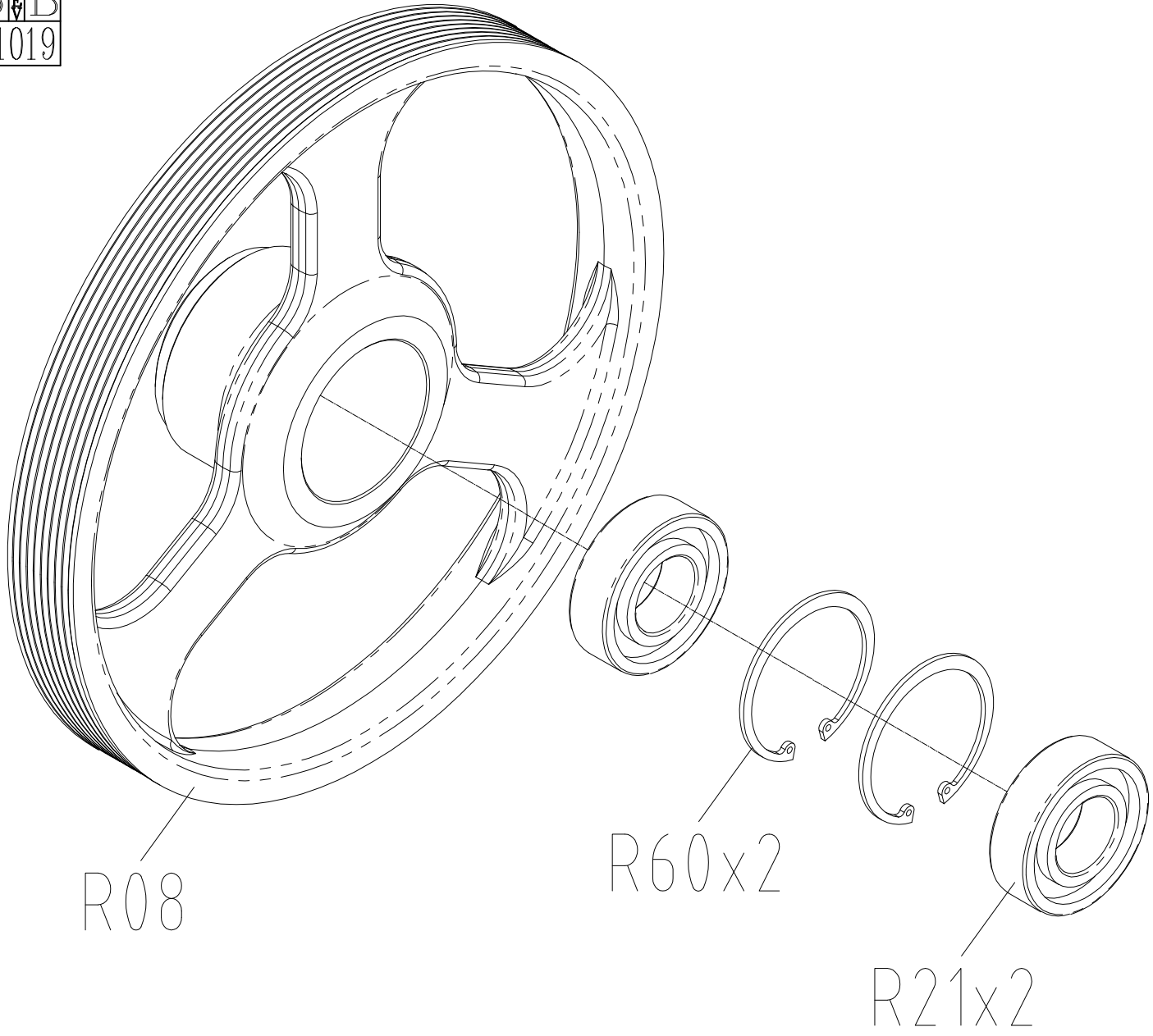
DRAWING NO	CS17-AR7		
PART NAME	SPROCKET_SET;REAR		
PART NO	1000212923		
APPROVE	S.T.C	DATE	20131231



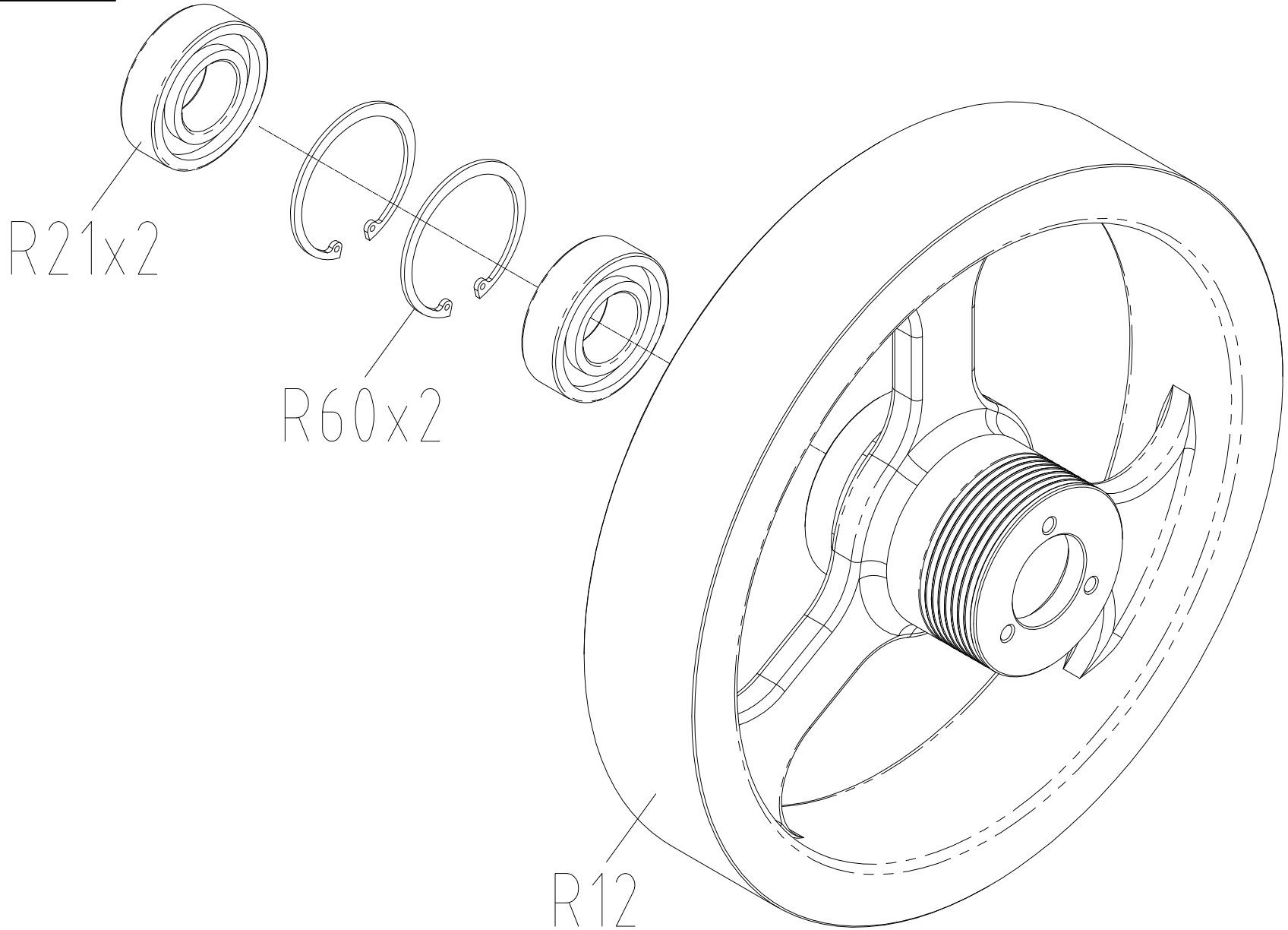
DRAWING NO	CS17-AR6		
PART NAME	SPROCKET SET:FRONT		
PART NO	1000212922		
APPROVE	S.T.C	DATE	20131231



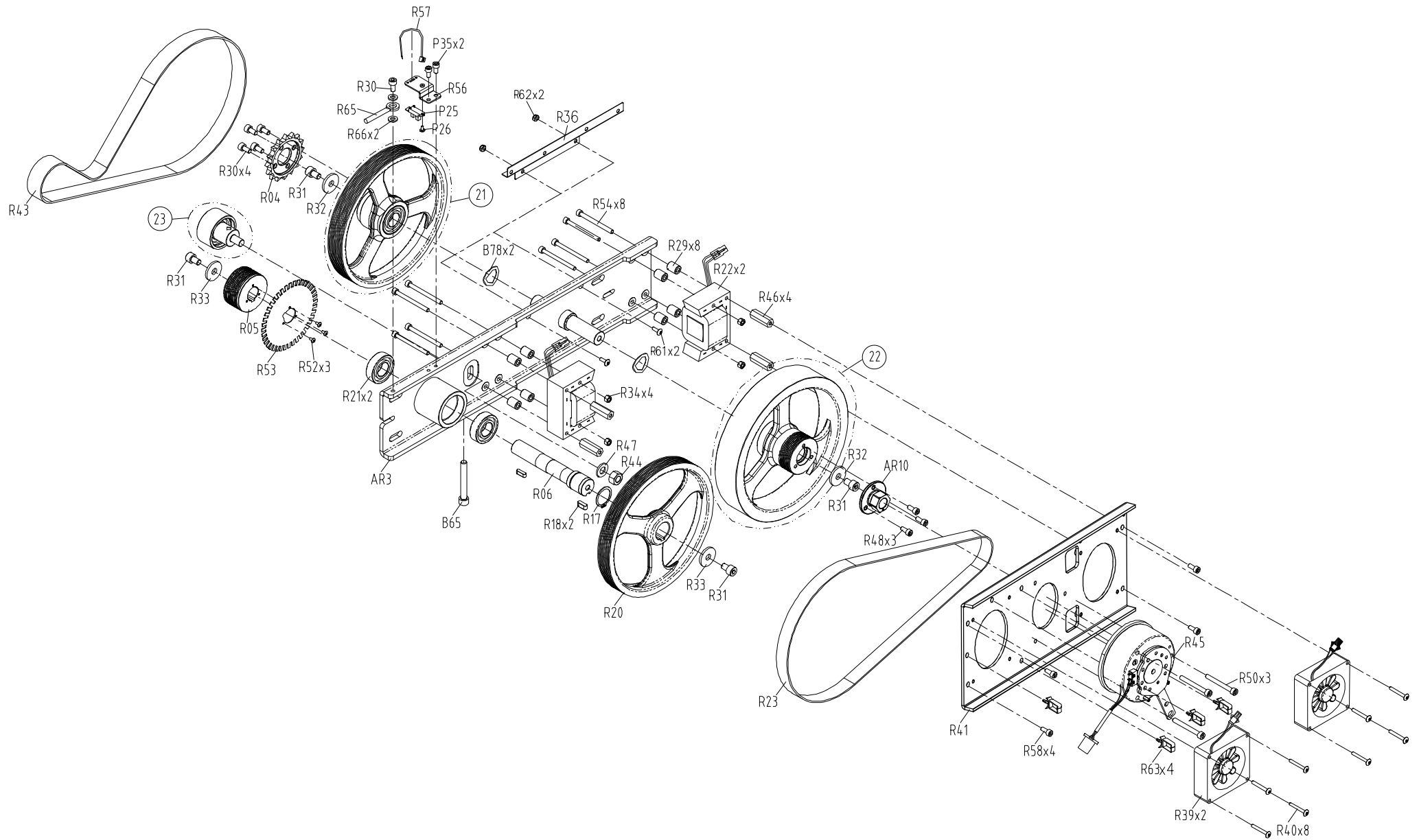
DRAWING NO	CS17-AR4		
PART NAME	PULLEY SET		
PART NO	1000212516 <small>REV</small> B		
APPROVE	JOHNNY	DATE	20111019



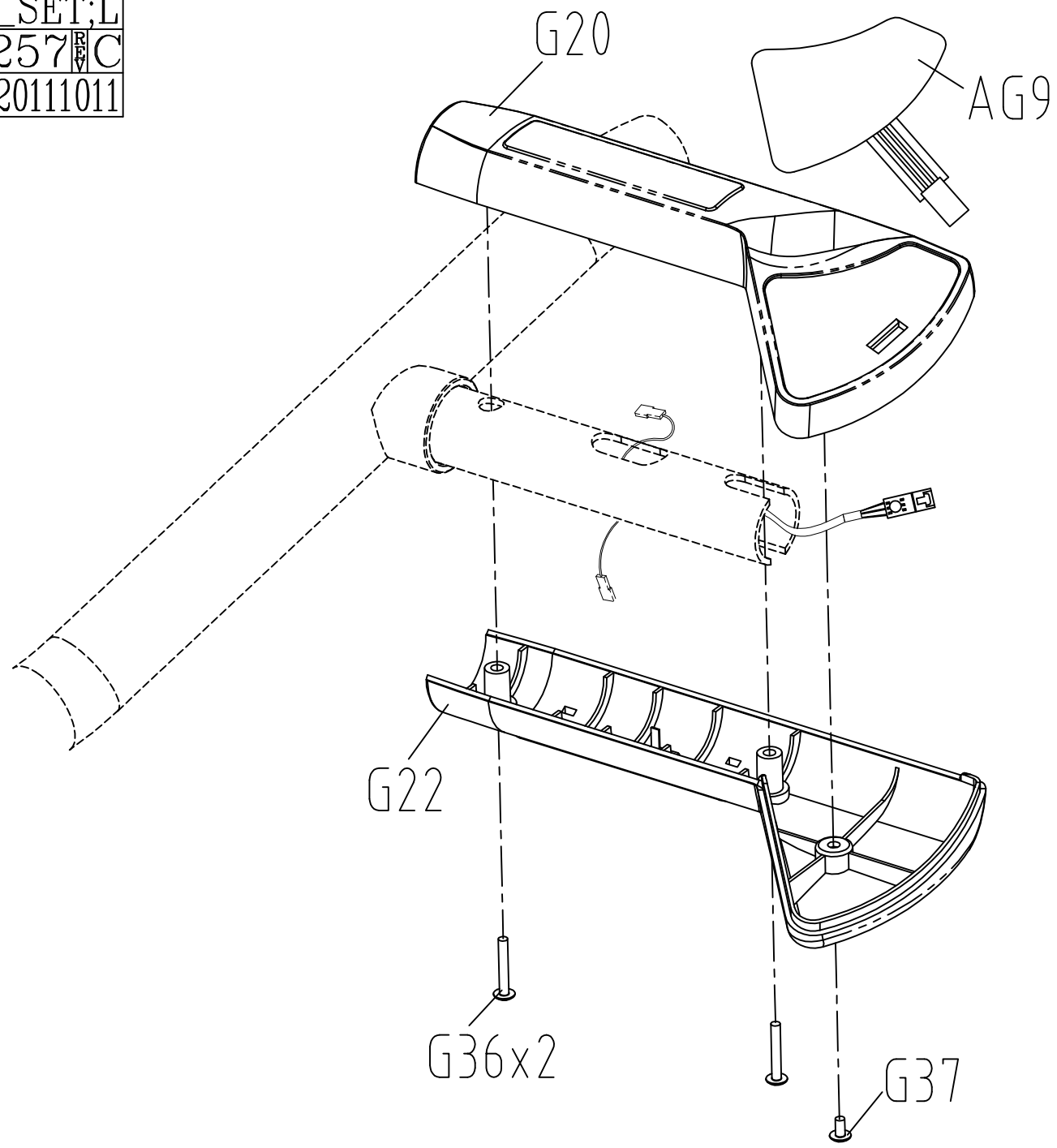
DRAWING NO	CS17-AR5		
PART NAME	FLYWHEEL SET		
PART NO	1000211384	REV	B
APPROVE	JOHNNY	DATE	20111019



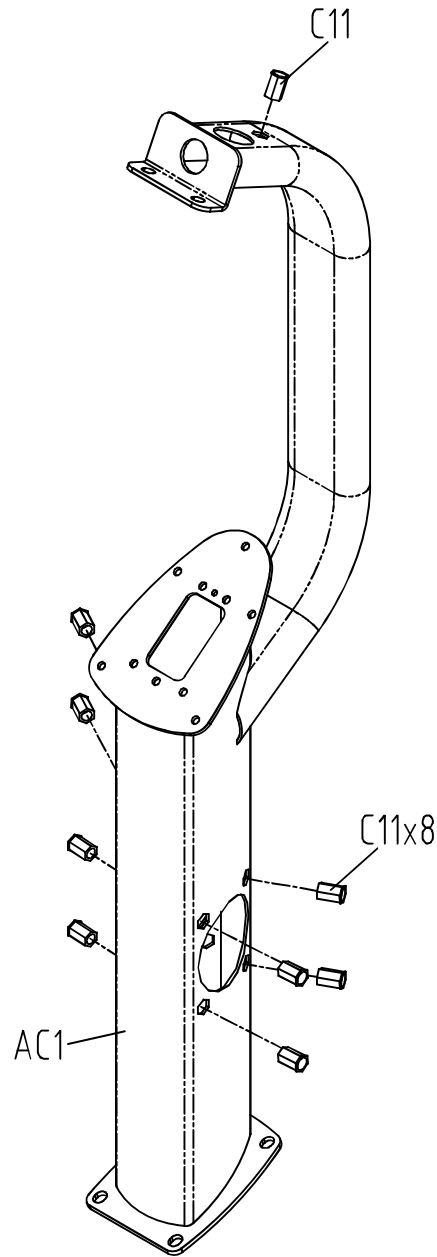
DRAWING NO	CS17-AR11		
PART NAME	DRIVE SET		
PART NO	1000209259/Q		
APPROVE	Gingo	DATE	20141104



DRAWING NO	CS17-AG19		
PART NAME	HANDGRIP_SET;L		
PART NO	1000209257	REV	C
APPROVE	KEN	DATE	20111011

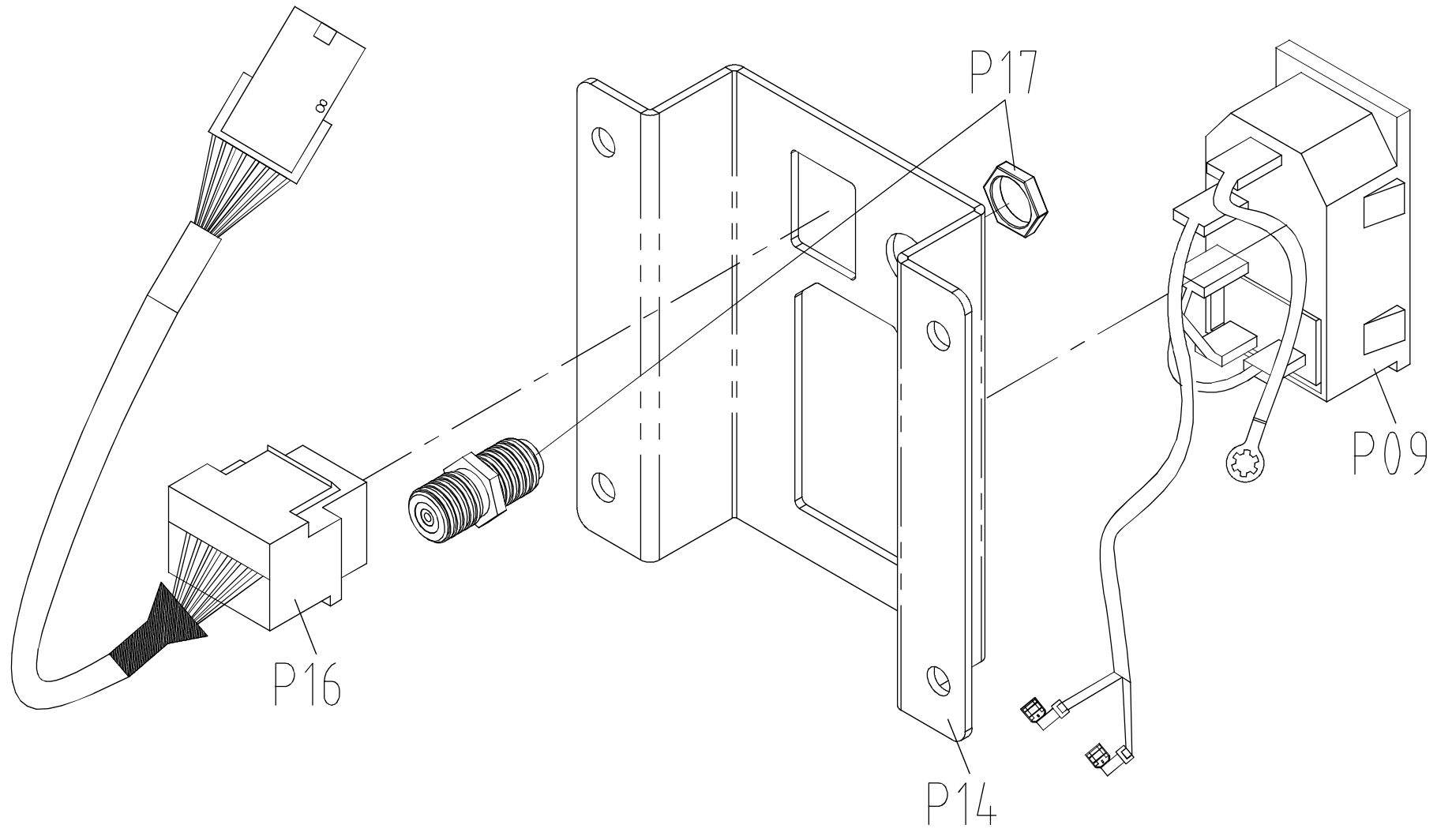


DRAWING NO	CS17-AC11		
PART NAME	CONSOLE_MAST_SET;SA		
PART NO	As attached chart		
APPROVE	EDWARD	DATE	20140617

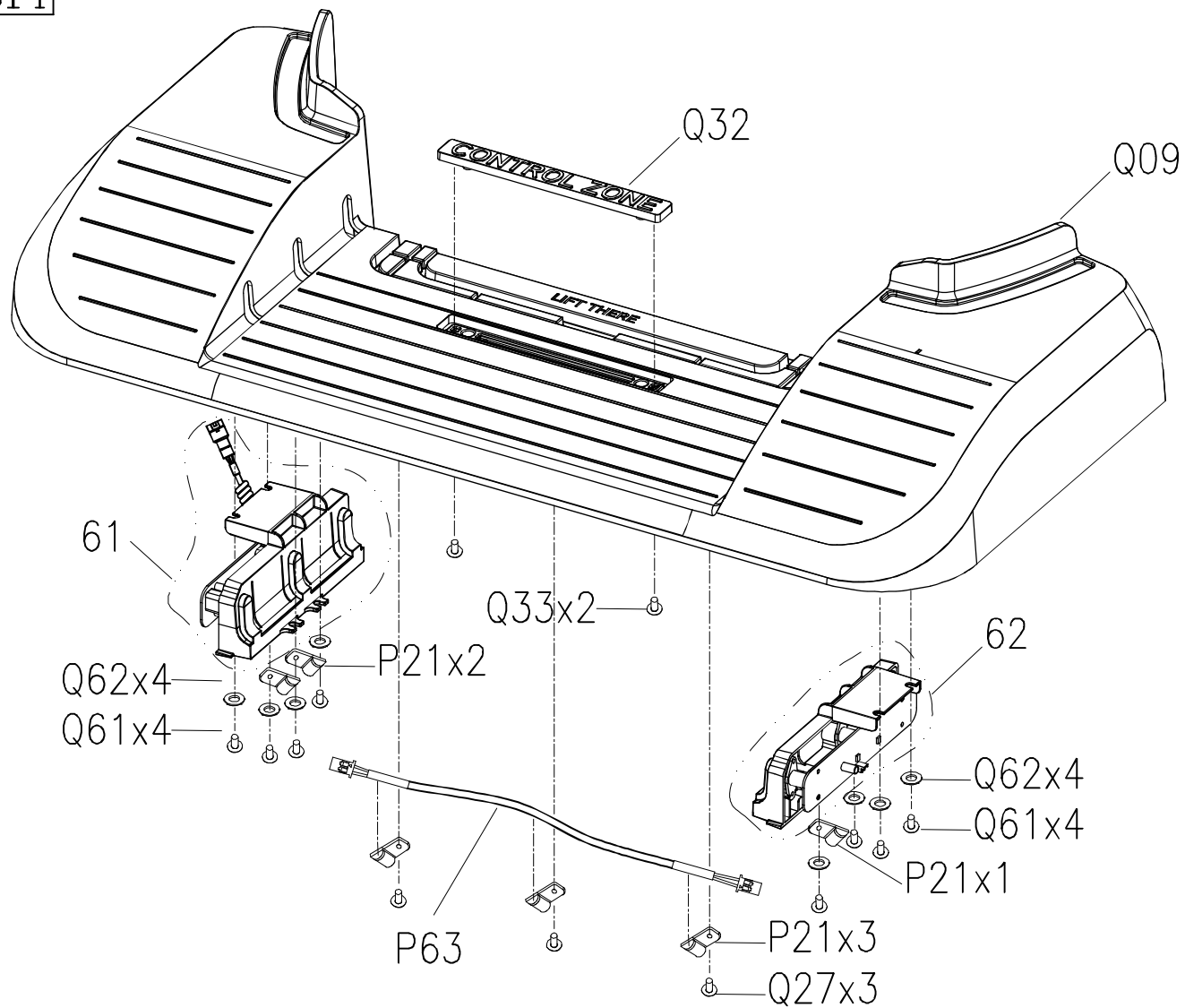


SAP No.	Description
1000209252	Matrix 銀灰色 (SLIVER)
1000336787	PF 專案 紫色 (PURPLE)
1000337810	霧黑 (BLACK MATTE)
1000348808	BLACK MATTE(Fitness park)
1000348840	BLACK MATTE(Moving express)
1000348996	BLACK MATTE(Groupe moving)

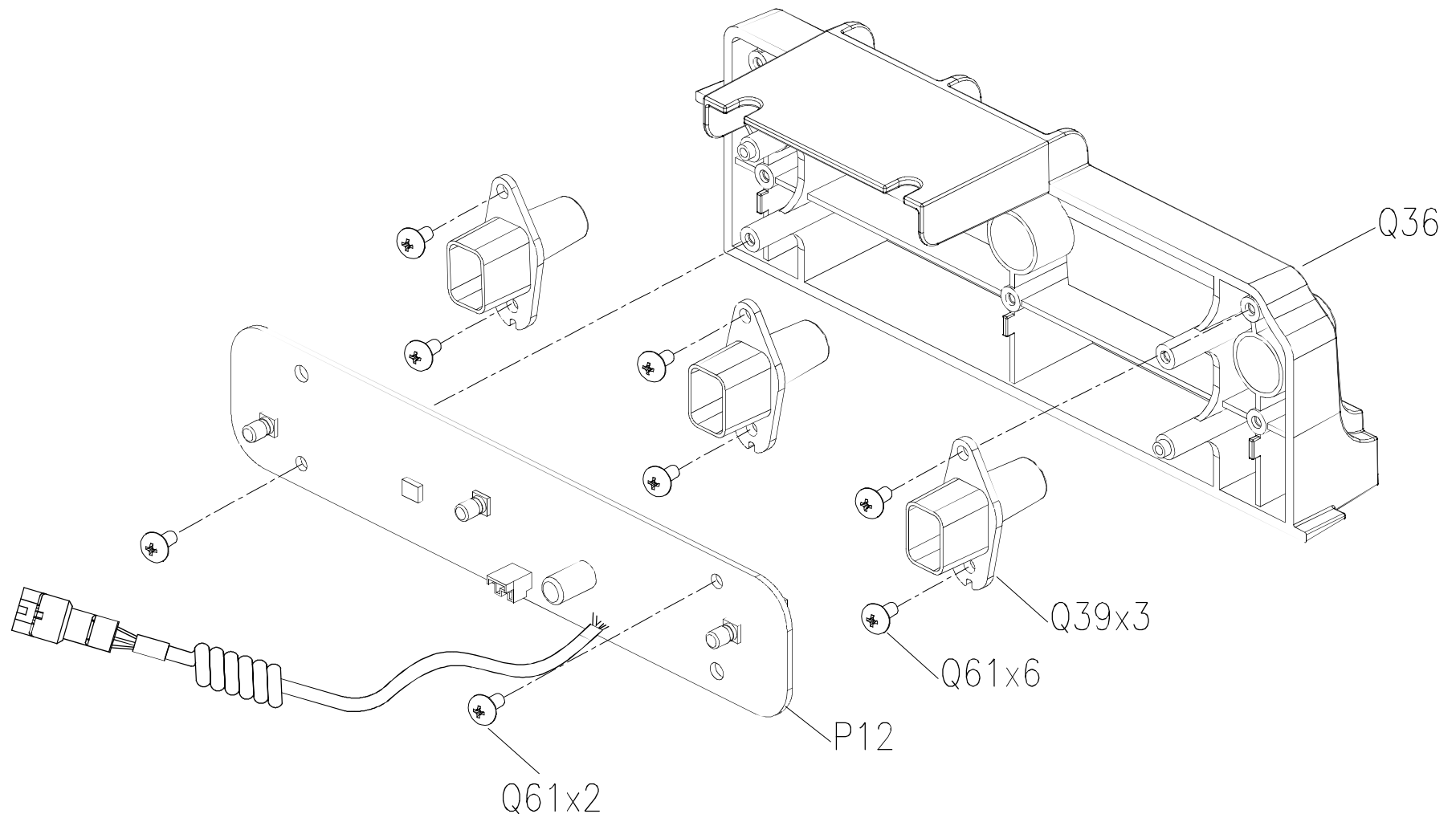
DRAWING NO	CS17-AP15		
PART NAME	E-PORT_FIX_PLATE_SET		
PART NO	1000203645		
APPROVE	Sunny	DATE	110513



DRAWING NO	CS24-AQ3		
PART NAME	TREAD SET;;back		
PART NO	1000336928 <small>REV</small> B		
APPROVE	Gingo	DATE	031214



DRAWING NO	CS24-AQ61		
PART NAME	Connect board set;Receiver;left		
PART NO	1000337952 R/A		
APPROVE	Kyle	DATE	121913



DRAWING NO	CS24-AQ62		
PART NAME	Connect board set;Transmission:right		
PART NO	1000337953 R/A		
APPROVE	Kyle	DATE	121913

